

PULLERTOOLS

FOR PROFESSIONALS

PULLER

MADE
IN GERMANY



2 | **UNIVERSAL PULLER**
Jaws

7 | **PULLER WITH SWIVELING JAWS**
2-jaw puller
3-jaw puller

15 | **ASSORTMENTS**
External puller and
Segmented internal extractor

SW STAHL
PROFESSIONAL TOOLS
www.swstahl.de

UNIVERSAL PULLER, 2-JAW

- Drop forged
- Spindle with fine thread
- Interchangeable centring ball
- Can be used as an external or segmented internal extractor by moving the jaws
- Optionally available with different-length of jaws



UNIVERSAL PULLER, 2-JAW, NARROW JAWS

- Extra narrow jaws for working in tight spaces
- Drop forged
- Spindle with fine thread
- Interchangeable centring ball
- Can be used as an external or segmented internal extractor by moving the jaws
- Optionally available with different-length of jaws



Item	Spread external puller	Spread internal puller	Depth	Max. torque [Nm]	Max. load [t]	Spindle	Claw size	Claw depth	Claw width	Price
10820L	20 - 90	70 - 130	100	80	4,5	M14 x 1,5 x 130	3	13	20	63,50 €*
10821L	25 - 130	80 - 180	100	80	4,5	M14 x 1,5 x 130	3	13	20	66,00 €*
10822L	50 - 160	105 - 220	150	150	6,5	G1/2" - 14 x 210	4	16	25	108,50 €*
10823L	60 - 200	120 - 270	150	150	6,5	G1/2" - 14 x 210	4	16	25	111,50 €*
10824L	80 - 250	160 - 330	200	320	11	G3/4" - 14 x 280	5	25	35	204,90 €*
10825L	80 - 350	160 - 420	200	320	11	G3/4" - 14 x 280	5	25	35	239,00 €*
10826L	110 - 520	195 - 600	200	360	13	G3/4" - 14 x 280	5	25	35	334,90 €*



Item	Spread external puller	Spread internal puller	Depth	Max. torque [Nm]	Max. load [t]	Spindle	Claw size	Claw depth	Claw width	Price
10830L	20 - 90	70 - 130	100	80	4,5	M14 x 1,5 x 130	3,6	8	28	84,90 €*
10831L	25 - 130	80 - 180	100	80	4,5	M14 x 1,5 x 130	3,6	8	28	92,90 €*

JAWS (2 PIECES)

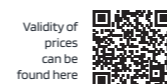


Item	Suitable for	Jaw length	Claw size	Claw depth	Claw width	Price
10820L-100	10820L and 10821L	100	3	13	20	45,50 €*
10820L-120	10820L and 10821L	120	3	13	20	61,50 €*
10820L-200	10820L and 10821L	200	3	13	20	64,50 €*
10820L-250	10820L and 10821L	250	3	13	20	85,50 €*
10822L-150	10822L and 10823L	150	4	16	25	67,50 €*
10822L-220	10822L and 10823L	220	4	16	25	74,00 €*
10822L-300	10822L and 10823L	300	4	16	25	95,50 €*
10824L-200	10824L, 10825L and 10826L	200	5	25	35	95,50 €*
10824L-300	10824L, 10825L and 10826L	300	5	25	35	127,00 €*
10824L-400	10824L, 10825L and 10826L	400	5	25	35	159,00 €*
10824L-500	10824L, 10825L and 10826L	500	5	25	35	201,50 €*

JAWS (2 PIECES)



Item	Suitable for	Jaw length	Claw size	Claw depth	Claw width	Price
10830L-100	10830L and 10831L	100	3,6	8	28	58,50 €*
10830L-120	10830L and 10831L	120	3,6	8	28	59,90 €*
10830L-200	10830L and 10831L	200	3,6	8	28	94,50 €*
10830L-250	10830L and 10831L	250	3,6	8	28	108,50 €*



UNIVERSAL PULLER, 2-JAW, WITH INTEGRATED JAW TENSIONER

Extremely narrow and sharp jaws for working in tight spaces. The integrated jaw tensioner reliably prevents the trigger claw from slipping off.



UNIVERSAL PULLER, 3-JAW

- Drop forged
- Spindle with fine thread
- Interchangeable centring ball
- Can be used as an external or segmented internal extractor by moving the jaws
- Optionally available with different-length of jaws

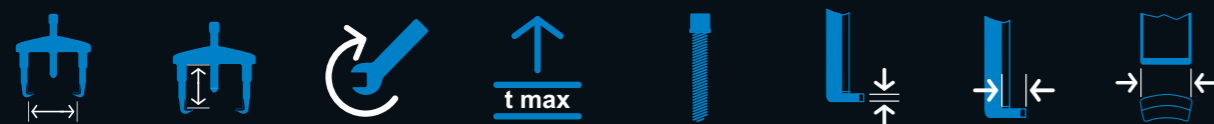


Item	Spread external puller	Depth	Max. torque [Nm]	Max. load [t]	Spindle	Claw size	Claw depth	Claw width	Price
10920L	20 – 90	100	90	5,5	M14 x 1,5 x 130	3	13	20	86,50 €* 86,50 €
10921L	25 – 130	100	90	5,5	M14 x 1,5 x 130	3	13	20	87,00 €* 87,00 €
10922L	50 – 160	150	180	7	G1/2" – 14 x 210	4	16	25	150,90 €* 150,90 €
10923L	60 – 200	150	180	7	G1/2" – 14 x 210	4	16	25	159,00 €* 159,00 €

JAWS (3 PIECES)



Item	Suitable for	Jaw length	Claw size	Claw depth	Claw width	Price
10920L-100	10920L and 10921L	100	3	13	20	68,50 €* 68,50 €
10920L-120	10920L and 10921L	120	3	13	20	79,00 €* 79,00 €
10920L-200	10920L and 10921L	200	3	13	20	96,50 €* 96,50 €
10920L-250	10920L and 10921L	250	3	13	20	127,90 €* 127,90 €
10922L-150	10922L and 10923L	150	4	16	25	93,90 €* 93,90 €
10922L-220	10922L and 10923L	220	4	16	25	115,50 €* 115,50 €
10922L-300	10922L and 10923L	300	4	16	25	180,50 €* 180,50 €



Item	Spread external puller	Depth	Max. torque [Nm]	Max. load [t]	Spindle	Claw size	Claw depth	Claw width	Price
10835L	0 – 45	50	40	2,5	M12 x 90	2,5	5	26,5	140,50 €* 140,50 €
10836L	0 – 50	50	25	1,5	M12 x 90	2,5	3	15	165,50 €* 165,50 €



UNIVERSAL PULLER, 3-JAW, NARROW JAWS

- Extra narrow jaws for working in tight spaces
- Drop forged
- Spindle with fine thread
- Interchangeable centring ball
- Can be used as an external or segmented internal extractor by moving the jaws
- Optionally available with different-length of jaws



MINI PULLER WITH SWIVELING JAWS, 2-JAW

Perfect for extracting small parts.

Pullers with swiveling jaws are designed to automatically press the jaws onto the part to be removed.



Item	Spread	Depth	Max. torque [Nm]	Max. load [t]	Spindle	Claw size	Claw depth	Claw width	Price
10880L	10 - 60	40	18	1	M8 x 85	1	5	8	36,00 €*
10881L	10 - 70	44 / 74	20	1,2	M8 x 85	1	5	8	38,00 €*
10882L	10 - 90	84	24	2	M10 x 105	1,8	10	12	38,90 €*

MINI PULLER WITH SWIVELING JAWS, 2-JAW, T-HANDLE

Perfect for extracting small parts.

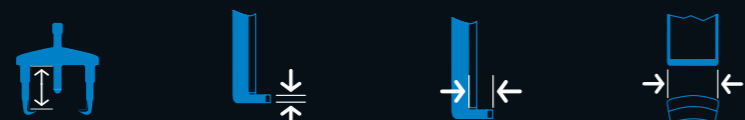
The T-handle allows immediate use without further tools.

Pullers with swiveling jaws are designed to automatically press the jaws onto the part to be removed.

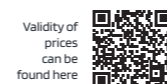


Item	Spread	Depth	Max. torque [Nm]	Max. load [t]	Spindle	Claw size	Claw depth	Claw width	Price
10883L	10 - 60	40	18	1	M8 x 85	1	5	8	36,00 €*
10884L	10 - 70	44 / 74	20	1,2	M8 x 85	1	5	8	38,00 €*
10885L	10 - 90	84	24	2	M10 x 105	1,8	10	12	38,90 €*

JAWS (3 PIECES)



Item	Suitable for	Jaw length	Claw size	Claw depth	Claw width	Price
10931L-100	10931L	100	3,6	8	28	87,90 €*
10931L-120	10931L	120	3,6	8	28	89,50 €*
10931L-200	10931L	200	3,6	8	28	155,50 €*
10931L-250	10931L	250	3,6	8	28	173,90 €*
10932L-150	10932L and 10933L	150	5	7,5	40	127,00 €*
10932L-220	10932L and 10933L	220	5	7,5	40	163,00 €*
10932L-300	10932L and 10933L	300	5	7,5	40	212,00 €*



PULLER WITH SWIVELING JAWS, 2-JAW

Pullers with swiveling jaws are designed to automatically press the jaws onto the part to be removed.

- Heavy-duty, drop forged
- Spindle with fine thread
- Interchangeable centring ball
- Fully adjustable jaws for different depths



Item	Spread	Depth	Max. torque [Nm]	Max. load [t]	Spindle	Claw size	Claw depth	Claw width	Price
10860L	20 – 170	130	50	3,5	M14 x 1,5 x 130	2	11	16	67,90 €*

MINI PULLER WITH SWIVELING JAWS, 3-JAW

Perfect for extracting small parts.

Pullers with swiveling jaws are designed to automatically press the jaws onto the part to be removed.



Item	Spread	Depth	Max. torque [Nm]	Max. load [t]	Spindle	Claw size	Claw depth	Claw width	Price
10980L	10 – 60	40	20	1,2	M8 x 85	1	5	8	44,50 €*
10981L	10 – 70	74	21	1,3	M8 x 85	1	5	8	51,50 €*
10982L	10 – 90	84	40	2,5	M10 x 105	1,8	10	12	56,50 €*

PULLER WITH SWIVELING JAWS, 2-JAW, REINFORCED VERSION

Pullers with swiveling jaws are designed to automatically press the jaws onto the part to be removed.

- Heavy-duty
- Spindle with fine thread
- Interchangeable centring ball
- Fully adjustable jaws for different depths



Item	Spread	Depth	Max. torque [Nm]	Max. load [t]	Spindle	Claw size	Claw depth	Claw width	Price
10840L	20 – 200	150	50	3,5	M14 x 1,5 x 130	3	14	18	52,50 €*
10841L	35 – 250	220	60	4	M18 x 1,5 x 240	4	20	25	98,90 €*
10842L	50 – 300	250	120	6	G1/2" – 14 x 270	5	25	30	148,50 €*

MINI PULLER WITH SWIVELING JAWS, 3-JAW, T-HANDLE

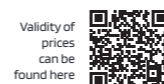
Perfect for extracting small parts.

The T-handle allows immediate use without further tools.

Pullers with swiveling jaws are designed to automatically press the jaws onto the part to be removed.



Item	Spread	Depth	Max. torque [Nm]	Max. load [t]	Spindle	Claw size	Claw depth	Claw width	Price
10983L	10 – 60	40	20	1,2	M8 x 85	1	5	8	44,50 €*
10984L	10 – 70	74	21	1,3	M8 x 85	1	5	8	51,50 €*
10985L	10 – 90	84	40	2,5	M10 x 105	1,8	10	12	56,50 €*



PULLER WITH SWIVELING JAWS, 3-JAW

Pullers with swiveling jaws are designed to automatically press the jaws onto the part to be removed.

- Heavy-duty, drop forged
- Spindle with fine thread
- Interchangeable centring ball
- Fully adjustable jaws for different depths



Item	Spread	Depth	Max. torque [Nm]	Max. load [t]	Spindle	Claw size	Claw depth	Claw width	Price
10960L	20 - 170	130	60	4	M14 x 1,5 x 130	2	11	16	52,90 €*

PULLER WITH SWIVELING JAWS, 3-JAW, REINFORCED VERSION

Pullers with swiveling jaws are designed to automatically press the jaws onto the part to be removed.

- Heavy-duty
- Spindle with fine thread
- Interchangeable centring ball
- Fully adjustable jaws for different depths



Item	Spread	Depth	Max. torque [Nm]	Max. load [t]	Spindle	Claw size	Claw depth	Claw width	Price
10940L	20 - 200	150	60	4	M14 x 1,5 x 130	3	14	18	61,50 €*
10941L	35 - 250	220	70	4,5	M18 x 1,5 x 240	4	20	25	79,50 €*
10942L	50 - 300	250	220	12	G1/2"-14 x 210	5	25	30	159,00 €*
10943L	50 - 350	350	220	12	G1/2"-14 x 210	5	25	30	175,90 €*
10944L	50 - 400	400	220	12	G1/2"-14 x 210	5	25	30	213,50 €*

PULLER WITH SWIVELING JAWS, 3-JAW

Pullers with swiveling jaws are designed to automatically press the jaws onto the part to be removed.

- Jaws with double-sided hook
- With a narrow and a wide hook
- Heavy-duty, drop forged
- Spindle with fine thread
- Interchangeable centring ball



Item	Spread	Depth	Max. torque [Nm]	Max. load [t]	Spindle	Claw size	Claw depth	Claw width	Price
10970L	20 - 150	85	60	4	M14 x 1,5 x 130	2	9	12	49,90 €*
10971L	40 - 220	130	70	4,5	M18 x 1,5 x 240	4	11	21	63,50 €*

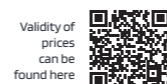
SCISSOR ACTION PULLER, 2-JAW

The scissor design causes the jaws to automatically press onto the part to be removed.

- Extra narrow jaws for working in tight spaces
- Heavy-duty
- Fully adjustable jaws for different depths



Item	Spread	Depth	Max. torque [Nm]	Max. load [t]	Spindle	Claw size	Claw depth	Claw width	Price
10850L	6 - 100	70 / 85	25	1,5	M12 x 120	2,5	4,5	23	85,50 €*
10851L	10 - 140	85 / 120	60	3,5	M16 x 160	3,5	5	31	102,50 €*



SEGMENTED INTERNAL EXTRACTOR

For extracting ball bearings, bearing shells, bearing bushes and shaft seals.

- Various versions that cover all clamping ranges
- With large edges to prevent slipping
- Rolled spindle thread
- Only suitable for use with compatible slide hammer or counterstay



COUNTERSTAY FOR SEGMENTED INTERNAL EXTRACTOR



Item	Thread	Spread	Max. torque [Nm]	Spindle thread	Price
11624L	M10	35 – 75	30	M16 x 1,5 x 136	41,00 €*
11626L	M10 and G3/8"	60 – 130	60	M24 x 1,5 x 160	58,50 €*
11627L	G3/8"	60 – 130	60	M24 x 1,5 x 160	61,50 €*
11628L	G3/8"	55 – 205	100	G1/2" – 14 x 210	127,00 €*



Item	Spread	Depth	Compatible counterstays	Compatible slide hammers	Thread	Max. torque [Nm]	Price
11600L	5 – 7	30	11624L, 11625L	11619L, 11620L	M10	3	34,50 €*
11601L	7 – 9	30	11624L, 11625L	11619L, 11620L	M10	7	34,50 €*
11602L	10 – 13	30	11624L, 11625L	11619L, 11620L	M10	15	37,50 €*
11603L	14 – 19	60	11624L, 11625L	11619L, 11620L	M10	28	37,00 €*
11612L	15 – 20	60	11624L, 11625L	11619L, 11620L	M10	28	37,50 €*
11604L	20 – 25	60	11624L, 11625L	11620L, 11621L	M10	40	47,00 €*
11605L	25 – 30	60	11624L, 11625L	11620L, 11621L	M10	40	49,00 €*
11609L	25 – 40	45	11624L, 11625L, 11626L	11619L, 11620L, 11621L	M10	45	53,00 €*
11606L	30 – 37	70	11624L, 11625L, 11626L	11620L, 11621L	M10	45	57,50 €*
11607L	38 – 45	70	11624L, 11625L, 11626L	11620L, 11621L	M10	45	65,00 €*
11610L	40 – 75	100	11626L, 11627L, 11628L	11621L	G3/8"	45	95,50 €*
11608L	45 – 55	100	11626L, 11627L, 11628L	11621L	G3/8"	45	79,90 €*
11611L	70 – 115	130	11628L	11621L	G3/8"	45	143,50 €*

SLIDE HAMMER FOR SEGMENTED INTERNAL EXTRACTOR

If the space you are working in is too tight to use a counterstay, use a slide hammer.



Item	Thread	Weight slide hammer	Measurement guide	Price
11619L	M10	ø 30 x 40 / 0,2 kg	ø 10 x 170	31,50 €*
11620L	M10	ø 50 x 80 / 0,7 kg	ø 10 x 170	38,50 €*
11621L	M10 and G3/8"	ø 45 x 100 / 0,7 kg	ø 16 x 250	67,50 €*



SEPARATING DEVICE

For extracting flush-fitted components that cannot be extracted using an extractor hook.

- Forged
- Sharp edges
- Connection screws with rolled threads
- Only suitable for use with a compatible extractor



Item	Diameter	Extractor	Thread	Side screw	Price
11630L	5 – 60	11640L, 11641L	M12	M10 x 120	48,90 €*
11631L	12 – 75	11640L, 11641L	M12	M12 x 140	61,90 €*
11632L	22 – 115	11642L	M16	M16 x 180	88,90 €*
11633L	25 – 155	11643L	M20 x 1,5	M20 x 1,5 x 250	158,50 €*

EXTRACTOR FOR SEPARATING DEVICE

- Forged
- Spindle with fine thread
- Interchangeable centring ball



Item	Spread	Depth	Thread	Max. torque [Nm]	Max. load [t.]	Spindle thread	Price
11640L	40 – 115	150	M12	30	2	M14 x 1,5 x 130	47,90 €*
11641L	45 – 140	150	M12	40	2,5	M14 x 1,5 x 130	74,50 €*
11642L	55 – 205	210	M16	70	4	G1/2" – 14 x 210	120,90 €*
11643L	90 – 260	315	M20 x 1,5	90	5	G1/2" – 14 x 210	159,00 €*

ASSORTMENTS

10890L – PRODUCT DISPLAY UNIT FOR DISPLAYING UNIVERSAL PULLERS, 2-JAW

for clearly displaying pullers in salesrooms or at repair workshop sales counters.

Contents:

- 10820L Puller 20 – 90 mm
- 10821L Puller 25 – 130 mm
- 10822L Puller 50 – 160 mm
- 10823L Puller 60 – 200 mm
- 10824L Puller 80 – 250 mm
- Product display stand

5-piece

10890L 678,90 €*



11803L – EXTERNAL PULLER-SET, 2- AND 3-JAW, Ø 25 - 130 MM

The set is designed for removing rolling bearings, especially in confined spaces. The extremely slim trigger hooks are available in different lengths and can be used in both 2-arm and 3-arm

- Puller bridge 2-jaw, 25 – 130 mm
- Puller bridge 3-jaw, 25 – 130 mm
- Extra long pressure spindle with T-handle
- 3x trigger hooks, slim, 100 mm, 200 mm, 250 mm
- Hook tensioner

11803L 209,50 €*



EXTERNAL PULLER KIT

For extracting flush-fitted components that cannot be extracted using an extractor hook

- Forged
- Sharp edges
- Connection screws with rolled threads

The kit contains a separating device with extractor as well as pull rod extensions for roller-bearings fitted on longer shafts.

**11800L –
EXTERNAL PULLER KIT,
Ø 5 – 60 MM**

For extracting flush-fitted components that cannot be extracted using an extractor hook

- Forged
- Sharp edges
- Connection screws with rolled threads

The kit contains a separating device with extractor as well as pull rod extensions for roller-bearings fitted on longer shafts.

Contents:

- Separating device, Ø 5 – 60 mm
- Puller, pulling force up to 2 t
- 2x pull rod extension, + 100 mm



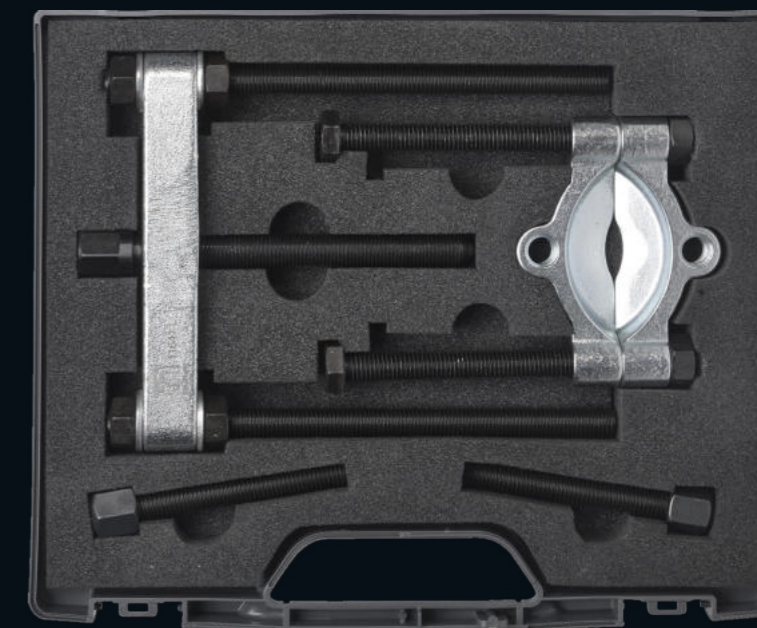
11800L 139,50 €*

**11801L –
EXTERNAL PULLER KIT,
Ø 12 – 75 MM**

Contents:

- Separating device, Ø 12 – 75 mm
- Puller, pulling force up to 2,5 t
- 2x pull rod extension, + 100 mm

11801L 185,00 €*

**11802L –
EXTERNAL PULLER KIT,
Ø 22 – 115 MM**

Contents:

- Separating device Ø 22 – 115 mm
- Puller, pulling force up to 4,0 t
- 2x pull rod extension, + 100 mm

11802L 258,90 €*



SEGMENTED INTERNAL EXTRACTOR KIT

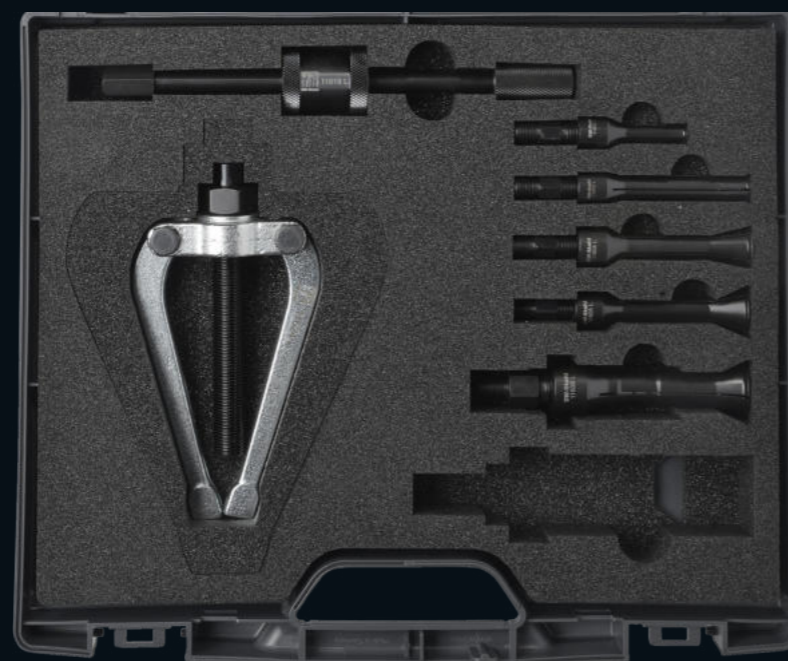
For extracting ball bearings, bearing shells, bearing bushes and shaft seals.

- With large edges to prevent slipping
- Rolled spindle thread

11900L – SEGMENTED INTERNAL EXTRACTOR KIT, Ø 10 – 37 MM

Contents:

- 5 segmented internal extractor, Ø 10 – 37 mm
- Slide hammer, 0,2 kg
- Counterstay

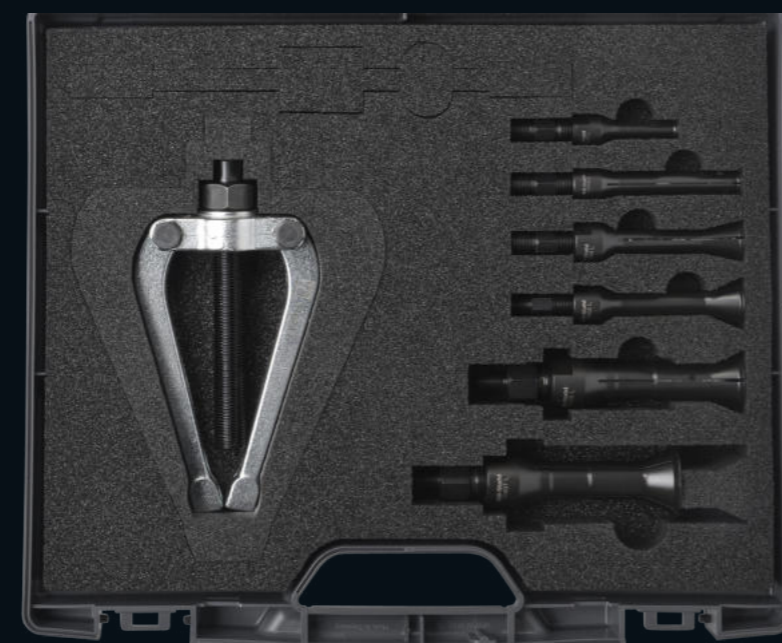


11900L 270,00 €*

11901L – SEGMENTED INTERNAL EXTRACTOR KIT, Ø 10 – 45 MM

Contents:

- 6 segmented internal extractor, Ø 10 – 45 mm
- Counterstay



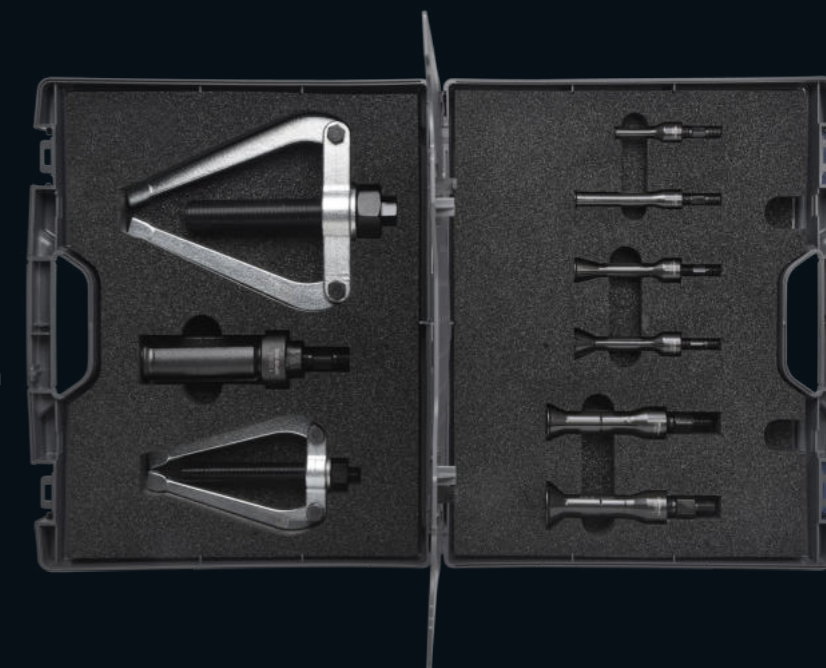
11901L 326,50 €*

11902L – SEGMENTED INTERNAL EXTRACTOR KIT, Ø 10 – 75 MM

Contents:

- 7 segmented internal extractor, Ø 10 – 75 mm
- 2x counterstay

11902L 490,90 €*



11903L – SEGMENTED INTERNAL EXTRACTOR KIT, Ø 15 – 75 MM

Contents:

- 4 segmented internal extractor, Ø 15 – 75 mm
- Counterstay

11903L 307,50 €*



11904L – SEGMENTED INTERNAL EXTRACTOR KIT, Ø 10 – 115 MM

Contents:

- 8 segmented internal extractor, Ø 10 – 115 mm
- 2x counterstay

11904L 901,90 €*



BALL JOINT EXTRACTOR

For quickly and efficiently removing ball joints on track rods and suspension joints.



Item	Fork opening	Clear height	Clear width	Max. torque [Nm]	Price
12300L	18	40	40	50	35,90 €*
12301L	25	50	50	120	44,50 €*
12302L	29	60	60	160	60,00 €*
12303L	40	80	80	280	75,50 €*
12305L	45	100	90	400	95,50 €*
12304L	56	80	80	280	102,00 €*

BALL JOINT EXTRACTOR, CV

For quickly and efficiently removing ball joints on track rods and suspension joints.

- Double adjustment possibility on the set and pressure screw
- Suitable for almost all common vehicles



Item	Fork opening	Clear height	Max. torque [Nm]	Max. load [t.]	Price
12100L	22	max. 50	70	3,5	74,00 €*

BALL JOINT EXTRACTOR WITH LEVER TRANSMISSION

For quickly and efficiently removing ball joints on track rods and suspension joints.

- Reinforced version
- Suitable for ball joint bolts with 27 - 36 mm diameter
- Double adjustment possibility on the set and pressure screw



Item	Fork opening	Clear height	Max. torque [Nm]	Max. load [t.]	Price
12101L	36	max. 90	200	10	123,50 €*

BALL JOINT EXTRACTOR, HEAVY TRUCKS

For quickly and efficiently removing ball joints on track rods and suspension joints.

- Reinforced version
- Suitable for ball joint bolts with 35 - 45 mm diameter
- Double adjustment possibility on the set and pressure screw
- Suitable for almost all common trucks and buses



Item	Fork opening	Clear height	Max. torque [Nm]	Max. load [t.]	Price
12102L	45	max. 115	200	20	206,00 €*



BALL JOINT EXTRACTOR, HYDRAULIC, TRUCK

For quickly and efficiently removing ball joints on track rods and suspension joints.

With the included grease hydraulic spindle very tight ball joints can be solved.

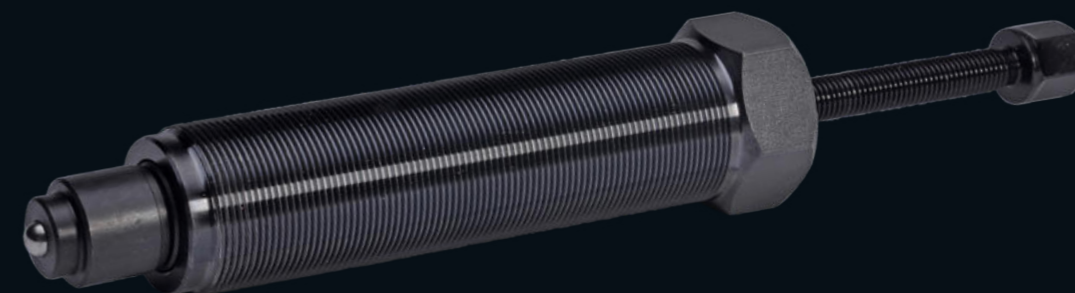
- Reinforced version
- Grease hydraulic spindle: max. 15 t



Item	Fork opening	Clear height	Max. torque [Nm]	Max. load [t.]	Price
12103L	36	max. 90	60	10	246,50 €*
12104L	45	max. 115	60	20	371,00 €*

GREASE HYDRAULIC SPINDLE, 15 T

In use with ball joint pullers particularly suitable for fixed bearings or ball joints in commercial vehicles, agricultural and construction machinery.



Item	Pressure force: max [t.]	Stroke [mm]	Thread	Max. torque [Nm]	Price
09682L	15	10	1 1/2" - 16 UN x 266	60	109,50 €*

BALL JOINT EXTRACTOR

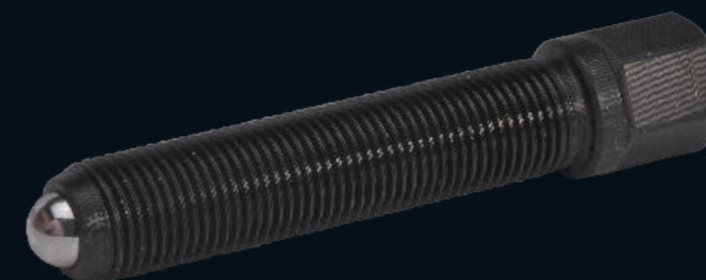
For quickly and efficiently removing ball joints on track rods and suspension joints.

- Easy to use thanks to lever transmission
- Reinforced spindle with fine thread and centring ball



Item	Fork opening	Clear height	Max. torque [Nm]	Max. load [t.]	Price
12200L	24	max. 50	40	3,5	45,00 €*
12201L	24	max. 80	40	3,5	60,50 €*

MECHANICAL SPINDLE



Item	Size	Price
10880L-SP	M8 x 85 mm	16,90 €*
10882L-SP	M10 x 105 mm	21,00 €*
12300L-SP	M14 x 1,5 x 60 mm	12,00 €*
10820L-SP	M14 x 1,5 x 130 mm	22,50 €*
12301L-SP	M16 x 1,5 x 60 mm	15,80 €*
12200L-SP	M16 x 1,5 x 70 mm	15,80 €*
12201L-SP	M16 x 1,5 x 90 mm	21,00 €*
12302L-SP	M18 x 1,5 x 70 mm	17,60 €*
10841L-SP	M18 x 1,5 x 240 mm	32,90 €*
12303L-SP	G1/2" 14 x 110 mm	31,50 €*
10822L-SP	G1/2" 14 x 210 mm	34,90 €*
10842L-SP	G1/2" 14 x 270 mm	37,90 €*
10824L-SP	G3/4" 14 x 280 mm	41,90 €*



Don't waste time searching. FIND IT STRAIGHT AWAY.

TOOL-IS can find any tool for you - in the blink of an eye (and perhaps even faster than that).



REGISTER NOW TO ACCESS MORE DETAILED INFORMATION!

www.tool-is.com

HAVE A LOOK AND SEE FOR YOURSELF!